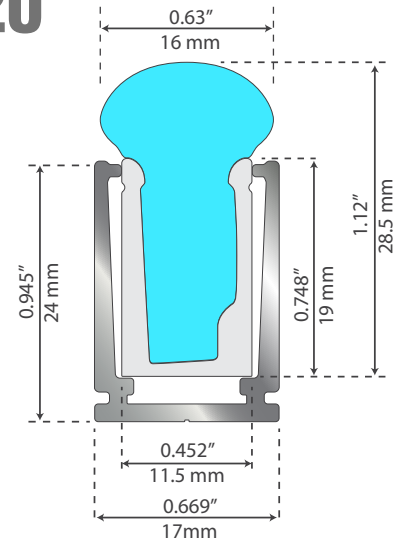


NEOFLEX NL-777-RGB-PIXEL

- ▶ Allows dramatic line-of-sight accents in direct view of the observer – addressable every 5.5"
- ▶ Integrated encapsulated diffusion means you'll never see sharp diode pixelation – only a soft, well-balanced color glow
- ▶ Mixing red, green & blue TIR LEDs allows for thousands of color/lighting pattern changes on the fly
- ▶ Can be field trimmed every 4"
- ▶ 3 year limited warranty

Product Specification

Input Voltage	24V DC
Limiting Control Method	CV – Constant Voltage
Power Consumption	3.66 W/ft.
LED Chip Type	High-quality SMD 5050 3-Diode
LED Density	18 LEDs/ft. / 60 LEDs/m
Board Type/Color	3 oz. Density Copper White PCB
Beam Angle	270°
Operating Temperature	-20°F to 130°F
Mounting	Mechanical attachment - aluminum mount extrusions
Cutttable Segments	3.94 in. (100) for 24V
Reel Length	16.4 ft. / 5m
Max Run Length	65.6 ft. / 20m, no luminous flux loss ³
Segment Width	0.56 in. (14mm) for IP68
Luminous Flux Maintenance	75,000 hrs ²
Dimming	DMX PWM, RF PWM, 0-10V, MLV, incandescent
Environmental	IP68 – Damp, Wet
Product Weight	5.25 oz/ft.



Product Photometrics

Red, Green, Blue Diodes (Test Distance from Light Source: 22.3 feet)

Color Diode	Peak Wavelength (nm)	Dominant Wavelength (nm)	CIE (x,y)	Luminous Flux (lm/m)	Luminous Efficacy (lm/W)
● Red	632.0	621.6	(0.6938, 0.3053)	22	13.16
● Green	516.2	521.5	(0.1402, 0.7244)	90	25.18
● Blue	462.5	466.7	(0.1369, 0.0520)	18	4.11

All three colors at Full Intensity (Test Distance from Light Source: 22.3 feet)

Nominal CCT	Luminous Flux (lm/m)	Luminous Efficacy (lm/W)	CIE (x,y)	Duv ¹	CRI	TM-30-15	
13197 K	130	28.88	0.2639, 0.2784	+0.0056	74.3	NA	NA

1 - Duv Chromatically Consistency is throughout the length. Typically below 1-step MacAdams Ellipse.
 2 - After 75,000 hrs: 30% Luminous Flux loss, 10% Chromaticity change, as per LM-80-2015
 3 - Powered only from one

- ▶ To minimize loss of brightness and to increase lumen output on CV LED strips, power the strip on both sides.
- ▶ LED electrical and photometric characteristics may fluctuate with different manufacturing batch/bin dates. Approximately 3-step MacAdam Ellipses between batches.
- ▶ We reserve the full right to update or revise this information at any time, for any reason and without prior notice.

