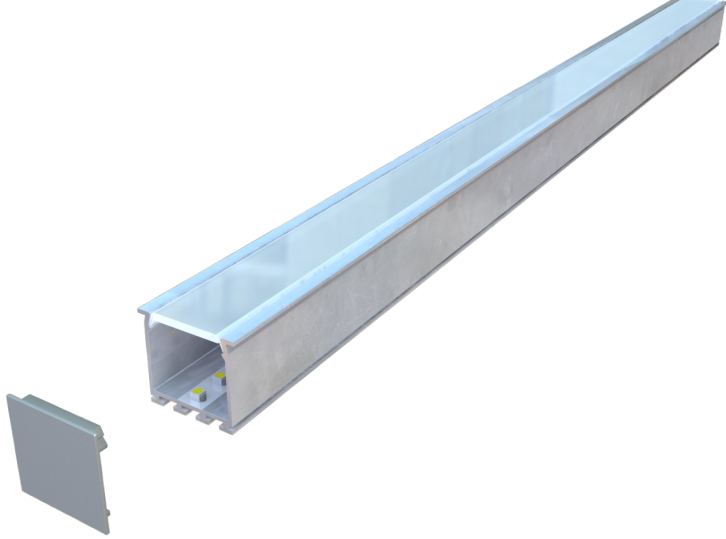
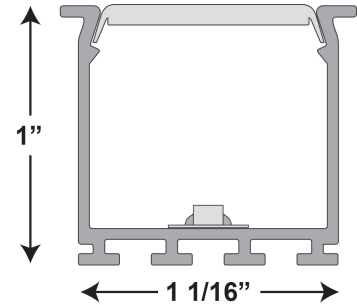


<b>PROJECT NAME:</b>	<b>TYPE:</b>
----------------------	--------------



**NL-160-LO**



- The Neotek NL-160-LO is a straight light emitting diode fixture.
- The fixture has an LED light strip mounted onto an aluminum extrusion with a wiring harness that plugs into a remote 24v power supply.
- Extrusion: The extrusion will be made of aluminum. Extrusion comes standard mill finish, it can also be powder coated with colors.
- LEDs: High output 3528 binned chips, 24v operating. Consuming 3.00 watts per foot and available in colors below. The chips and circuitry are fastened to the aluminum fixture. The strips produce 420 lumens per foot. Angle of illumination is 120 degrees.
- Power Supply: The power supply is a dimmable or non-dimmable solid state. The power supply is remote from the fixture is an accessible area. The power supply has a 24v output and wattage to be rated for 3.00 watts per foot.
- End Caps: The end caps shall be a polypropylene end cap on exposed ends with or without wire holes as needed.
- Mounting Bracket: The mounting brackets shall be zinc matte finished.
- Lens: The lens shall be made of polycarbonate and be frosted or clear.
- All LED linear fixtures are dimmable using various types of dimmers. RGB can be controlled with any DMX 512 protocol, however assistance is available from Neotek for more specific control solutions.

<b>COLOR OF LED LIGHT:</b>			
<input type="checkbox"/> 24K White <input type="checkbox"/> 28K White <input type="checkbox"/> 30K White <input type="checkbox"/> 35K White <input type="checkbox"/> 40K White <input type="checkbox"/> 65K White <input type="checkbox"/> Red <input type="checkbox"/> Green <input type="checkbox"/> Blue <input type="checkbox"/> Amber <input type="checkbox"/> RGB			
<b>LENS:</b>	<b>INPUT VOLTAGE:</b>	<b>DIMMING TYPE:</b>	
<input type="checkbox"/> Frosted <input type="checkbox"/> Clear	<input type="checkbox"/> 120v <input type="checkbox"/> 277V	<input type="checkbox"/> 0-120VL(LV) <input type="checkbox"/> 0-10V <input type="checkbox"/> None	
<b>FIXTURE FINISH:</b>		<b>APPLICATION:</b>	
<input type="checkbox"/> Standard Mill <input type="checkbox"/> Black <input type="checkbox"/> Custom		<input type="checkbox"/> Interior IP00 <input type="checkbox"/> Exterior IP67	
<b>JOB INFORMATION:</b>			<b>DATE:</b>
			<b>PAGE #:</b>