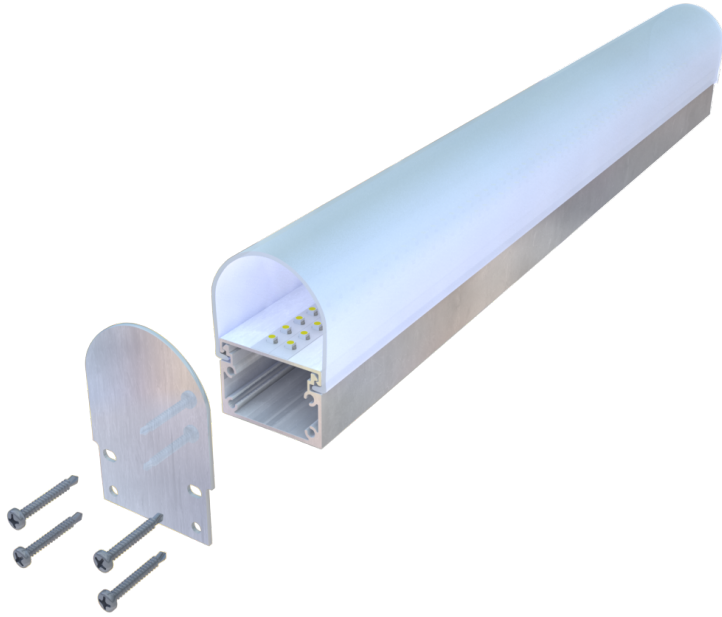
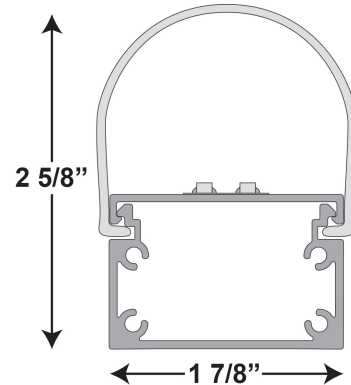


PROJECT NAME:	TYPE:
----------------------	--------------



NL-200SL-HO



- The Neotek NL-200SL-HO is a straight or curved dimmable light emitting diode fixture that can be made from 8" to 96". The fixture has an LED light strip mounted onto a two-piece aluminum extrusion with a cavity to enlose all wiring.
- Extrusion: The extrusion will be 2 parts (top and bottom) and shall be made of aluminum. The bottom extrusion shall have four .125 diameter holes for end plates to screw into, or for parts to be pressed into so that adjacent fixture can be attached. The base extrusion can be used a wire way. Extrusion comes standard mill finish, it can also be powder coated with colors or patterns.
- LEDs: High output 3528 binned chips, 24v operating. Consuming 6.00 watts per foot and available in colors below. The chips and circuitry are fastened to the extrusion. The strips produce 840 lumens per foot. Angle of illumination is 120 degrees.
- Power Supply: The power supply is a dimmable or non-dimmable solid state. The power supply is remote from the fixture is an accessible area. The power supply has a 24v output and wattage to be rated for 6.00 watts per foot.
- End Caps: The shall be a aluminum end cap on exposed ends with or without wire holes as needed.
- Lens: The lens shall be made of polycarbonate and be frosted or clear.
- All LED linear fixtures are dimmable using various types of dimmers. RGB can be controlled with any DMX 512 protocol, however assistance is available from Neotek for more specific control solutions.

COLOR OF LED LIGHT:		
<input type="checkbox"/> 24K White <input type="checkbox"/> 28K White <input type="checkbox"/> 30K White <input type="checkbox"/> 35K White <input type="checkbox"/> 40K White <input type="checkbox"/> 65K White <input type="checkbox"/> Red <input type="checkbox"/> Green <input type="checkbox"/> Blue <input type="checkbox"/> Amber <input type="checkbox"/> RGB		
LENS:	INPUT VOLTAGE:	DIMMING TYPE:
<input type="checkbox"/> Frosted <input type="checkbox"/> Clear	<input type="checkbox"/> 120v <input type="checkbox"/> 277V	<input type="checkbox"/> 0-120VL(LV) <input type="checkbox"/> 0-10V <input type="checkbox"/> None
FIXTURE FINISH:		APPLICATION:
<input type="checkbox"/> Standard Mill <input type="checkbox"/> Black <input type="checkbox"/> Custom		<input type="checkbox"/> Interior IP00 <input type="checkbox"/> Exterior IP67
JOB INFORMATION:		DATE:
		PAGE #: